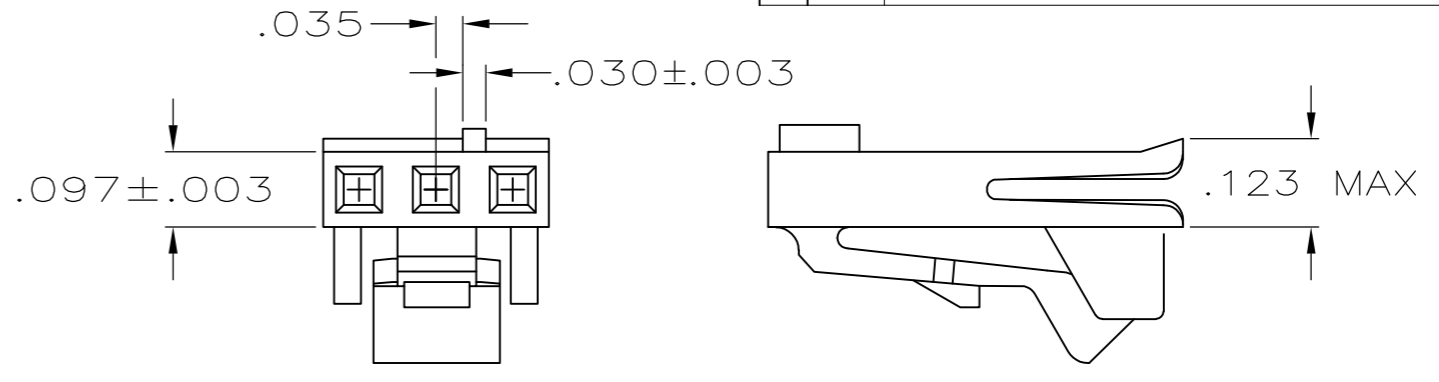
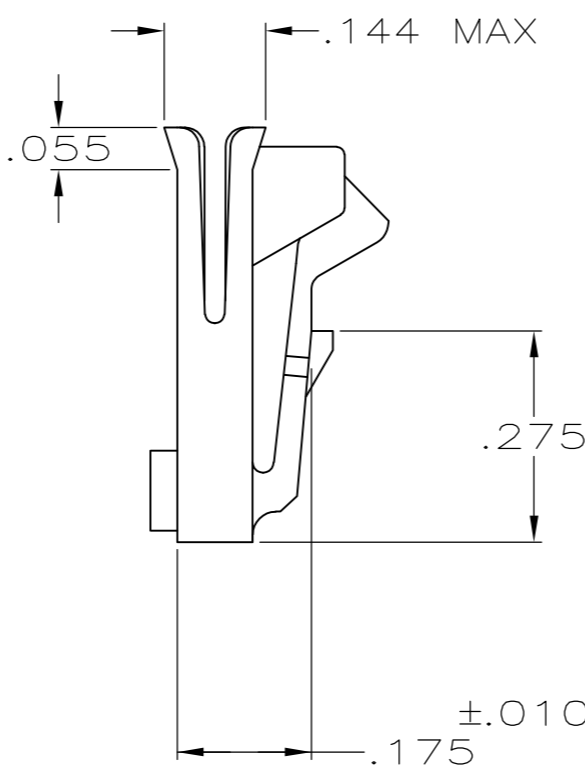
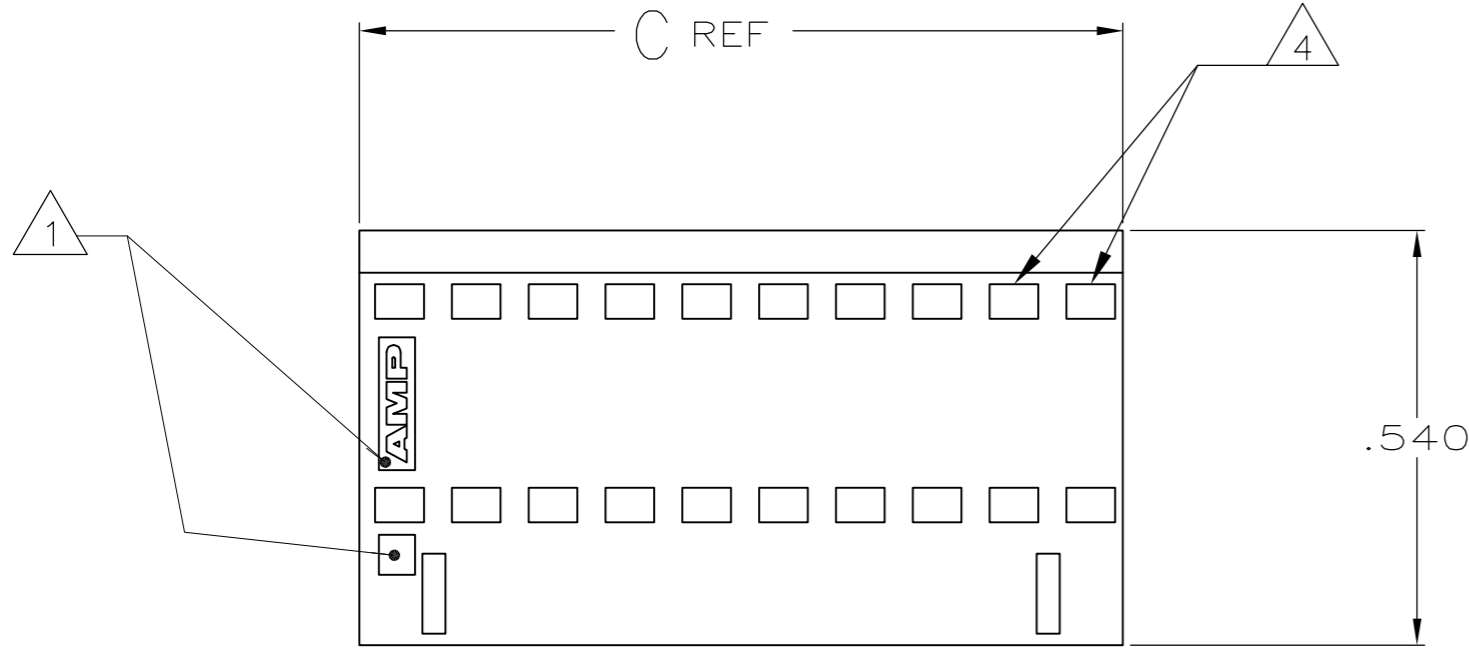


THIS DRAWING IS UNPUBLISHED. RELEASED FOR PUBLICATION
 © COPYRIGHT - By - ALL RIGHTS RESERVED.

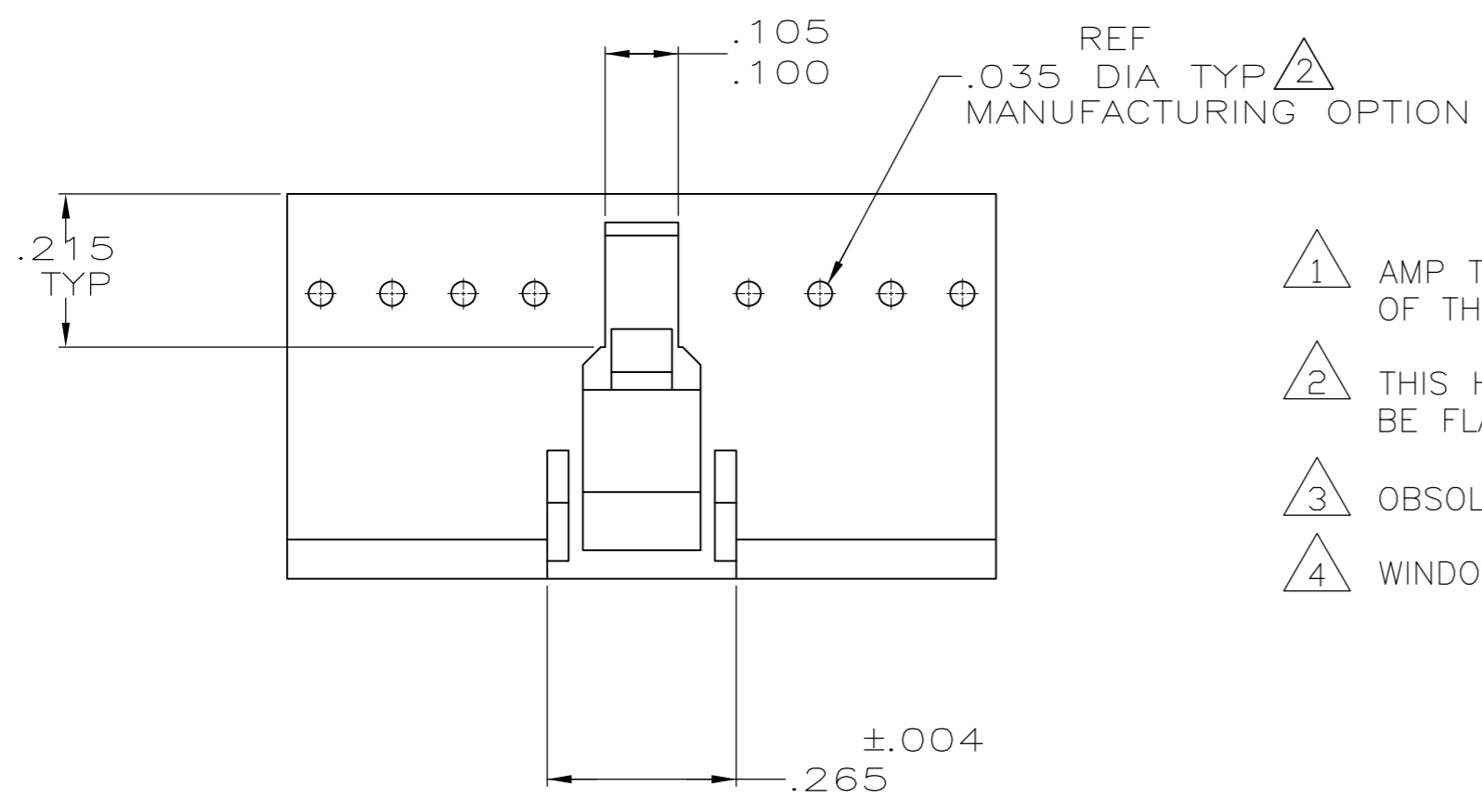
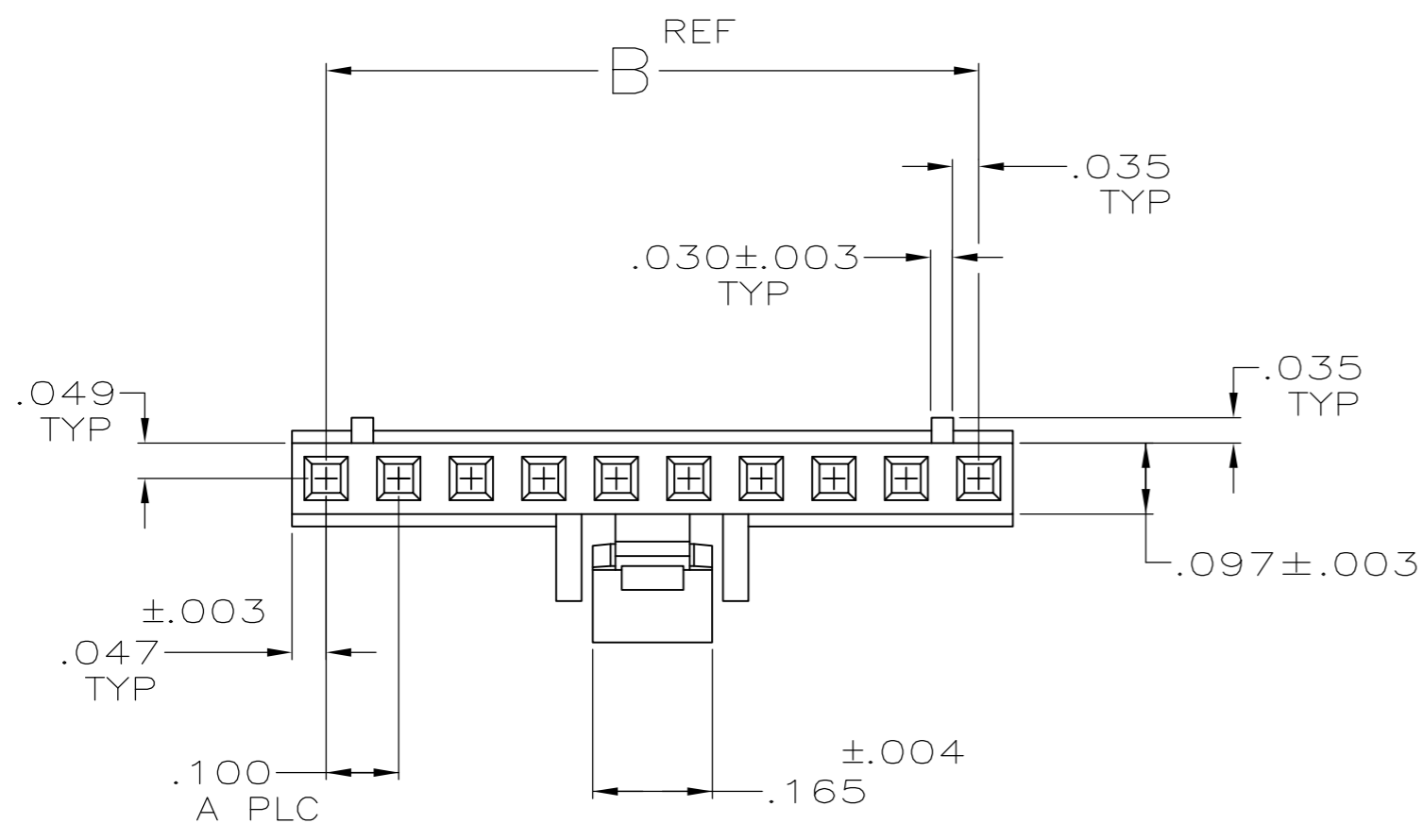
LOC		DIST		REVISIONS				
P	LTR	DESCRIPTION			DATE	DWN	APVD	
GP	00	AA	REVISED PER ECO-11-017188			06DEC2011	CJV	CWR



DETAIL FOR 3 POSN ONLY



DETAIL FOR 2 POSN ONLY



- 1 AMP TRADEMARK AND MOLD CAVITY IDENTIFICATION LOCATED AT EITHER END OF THE HOUSING IN APPROXIMATE AREA SHOWN.
- 2 THIS HOLE IS FOR MOLDING PURPOSES ONLY AND MAY BE FLASHED OVER.
- 3 OBSOLETE PARTS: OBSOLETE CIS STREAMLINING PER D.RENAUD/D.SINISI.
- 4 WINDOWS MAY OR MAY NOT BE PRESENT ON THIS END OF THE HOUSING.

2.494	2.400	24	25	2-487526-4
2.394	2.300	23	24	2-487526-3
3 OBSOLETE	2.294	2.200	22	2-487526-2
2.194	2.100	21	22	2-487526-1
3 OBSOLETE	2.094	2.000	20	2-487526-0
1.994	1.900	19	20	1-487526-9
1.894	1.800	18	19	1-487526-8
1.794	1.700	17	18	1-487526-7
1.694	1.600	16	17	1-487526-6
1.594	1.500	15	16	1-487526-5
1.494	1.400	14	15	1-487526-4
1.394	1.300	13	14	1-487526-3
1.294	1.200	12	13	1-487526-2
1.194	1.100	11	12	1-487526-1
1.094	1.000	10	11	1-487526-0
.994	.900	9	10	487526-9
.894	.800	8	9	487526-8
.794	.700	7	8	487526-7
.694	.600	6	7	487526-6
.594	.500	5	6	487526-5
.494	.400	4	5	487526-4
.394	.300	3	4	487526-3
.294	.200	2	3	487526-2
.194	.100	1	2	487526-1
C REF	B	A	NO OF POSNS	PRODUCT PART NO

THIS DRAWING IS A CONTROLLED DOCUMENT.		DWN P. BERRY 12-11-85	TE Connectivity																				
		CHK D. DOLLYHIGH 12-13-85																					
DIMENSIONS: INCHES		TOLERANCES UNLESS OTHERWISE SPECIFIED:		NAME																			
<table border="1"> <tr><td>0 PLC</td><td>±</td><td>-</td></tr> <tr><td>1 PLC</td><td>±</td><td>-</td></tr> <tr><td>2 PLC</td><td>±</td><td>-</td></tr> <tr><td>3 PLC</td><td>±</td><td>.005</td></tr> <tr><td>4 PLC</td><td>±</td><td>-</td></tr> <tr><td>ANGLES</td><td>±</td><td>-</td></tr> </table>		0 PLC	±	-	1 PLC	±	-	2 PLC	±	-	3 PLC	±	.005	4 PLC	±	-	ANGLES	±	-	PRODUCT SPEC 108-9024		HOUSING, RECEPTACLE, LATCH, POLARIZED, FFC	
0 PLC	±	-																					
1 PLC	±	-																					
2 PLC	±	-																					
3 PLC	±	.005																					
4 PLC	±	-																					
ANGLES	±	-																					
MATERIAL THERMOPLASTIC.		FINISH -		APPLICATION SPEC 114-16015																			
		WEIGHT -		SIZE A2 CAGE CODE 00779 DRAWING NO C=487526																			
		CUSTOMER DRAWING		RESTRICTED TO -																			
		SCALE 4:1		SHEET 1 OF 1 REV AA																			